

## Quick Detail:

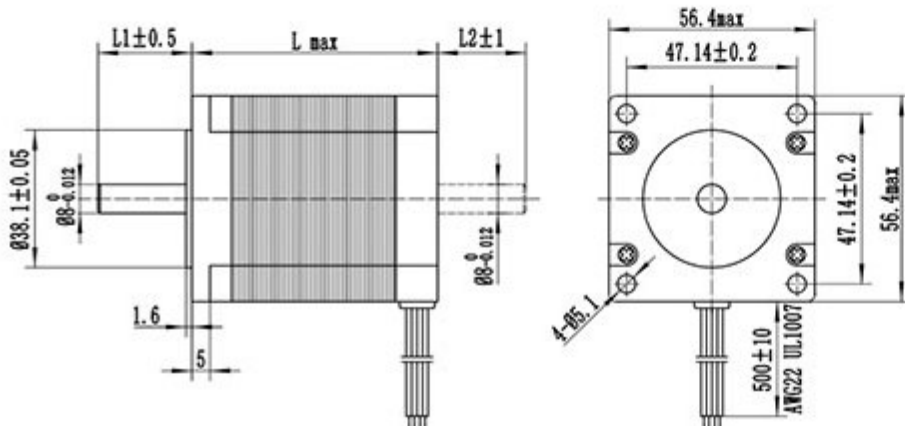
Item	Specifications
Step Angle Accuracy	±5%
Resistance Accuracy	±10%
Inductance Accuracy	±20%
Temperature Rise	80°C Max
Ambient Temperature	-20°C~+50°C
Insulation Resistance	100MΩMin.500VDC
Dielectric Strength	500VAC for one minute
Shaft Radial Play	0.02Max.(450g-load)
Shaft Axial Play	0.08Max.(450g-load)

Model No	Step Angle (°)	Rated Voltage (V)	Rated Current (A)	Phase Resistance (Ω)	Phase Inductance (mH)	Holding Torque (Kg.cm)	Detent Torque (g.cm Max)	Rotor Inertia (g.cm <sup>2</sup> )	Motor Length (mm)	Leads No.	Motor Weight (Kg)
57HC42-5206	1.2	6.76	5.2	1.3	1.1	4.5	210	110	42	6	0.48
57HC56-5606	1.2	3.92	5.6	0.7	1.1	9	400	300	56	6	0.72
57HC79-5806	1.2	6.09	5.8	1.05	1.3	15	680	480	79	6	1.1

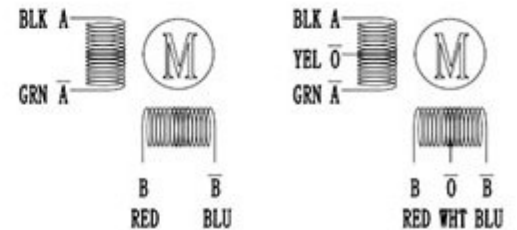
Above only for representative products,products of special request can be made according to the customer request.

### Dimensions

unit=mm



### Wiring Diagram:



4 Leads

6 Leads